



# COMBiLiFT

Customised Handling Solutions

## Combilift Sideloader Range



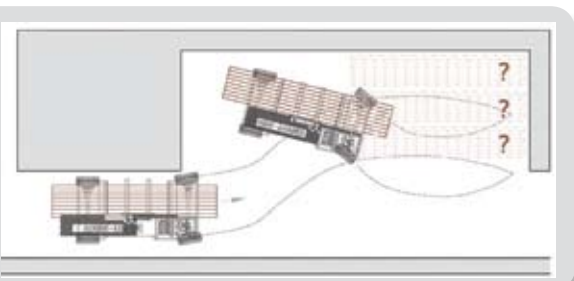
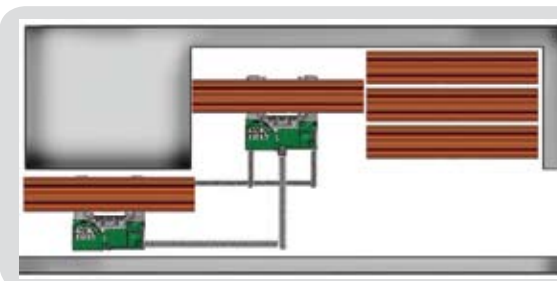
Capacity: 4,500 kg - 6,000 kg



This hydrostatic all-wheel drive truck differentiates itself from the traditional sit-down sideloaders by offering operators the opportunity to drive in four directions. The CombiLift SL allows companies to have the benefits of narrow aisles, superior manoeuvrability and the ability to block or bulk stack by driving forwards.



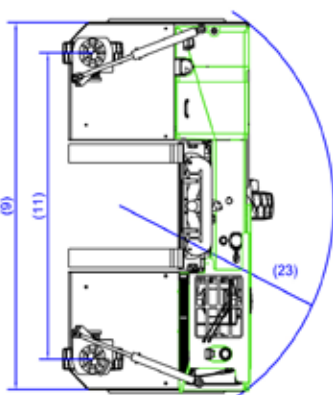
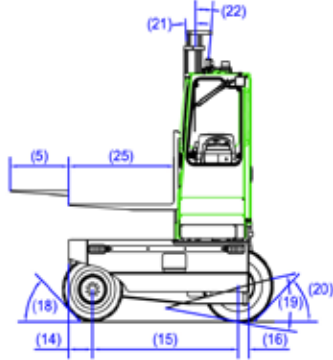
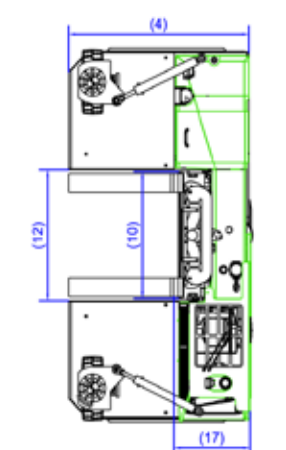
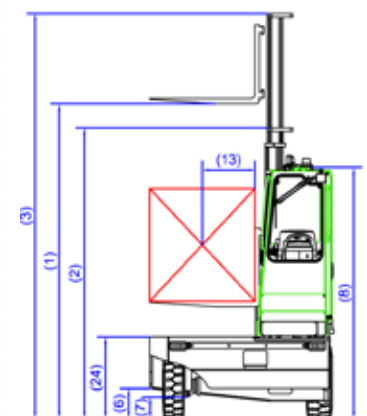
Combi-SR: Rear Mounted Cabin



Combi-SL

## Specifications: Combi-SL

REF	DESCRIPTION	C4500SL	C5000SL	C6000SL
1a	Standard Lift Height		4040mm	
1b	Free Lift Height		0mm	
2	Height Mast Closed		3000mm	
3	Max. (Mast Raised)		5200mm	
4	Overall Length	2050mm	2050mm	2250mm
5	Mast Travel	1290mm	1290mm	1490mm
6	Ground Clearance Under Mast		300mm	
7	Ground Clearance to Wheelbase Centre		235mm	
8	Height Over Cab or of Overhead Guard		2670mm	
9	Width		3900mm	
10	Outside Spread of Fork Arms		1350mm	
11	Track Front		3258mm	
12	Frame Opening		1400mm	
13	Load Centre Distance		600mm	
14	Overhang Front		272mm	
15	Wheel Base	1658mm	1858mm	1858mm
16	Overhang Back		121mm	
17	Length from Face of Fork		850mm	
18	Approach Angle		45 °	
19	Ramp Angle		18 °	
20	Departure Angle		45 °	
21	Forward Tilt		3 °	
22	Backward Tilt		5 °	
23	Minimum Outside Radius		2590mm	
24	Platform Height ( Optional 750mm)	850mm	850mm	850mm
25	Platform Length	1200mm	1400mm	1400mm
A	Capacity	4500kg	5000kg	6000kg
B	Unden Weight	9800kg	9900kg	10200kg
C	Maximum Ground Speed		20km/h	
D	Gradibility		15%	
E	Kubota V3800-T Diesel/ 4.3 ltr GM LPG		74kW/ 72kW	
F	Electric's		12 Volt	
G	Fork Sections 50 x 200 x	1200mm	1200mm	1400mm
H	27 x 10-12 Front Tyre		OD 680mm / Width 255mm	
I	355/65-15 Rear Tyre		OD 800mm/ Width 295mm	
J	Standard Colour		Green and Grey	
K	Suspension Seat		KAB Model 116	



### FEATURES INCLUDE:

- Rubber Mounted Half Open Cabin
- Multi-Direction Operation
- 3 Wheel hydrostatic Drive
- Load Sensing Steering
- 4 Way Lever Positioning of Wheels
- Hydraulic Oil Cooler

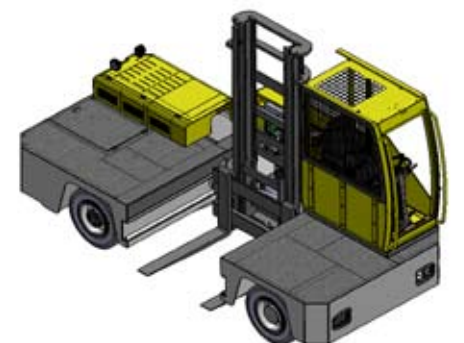
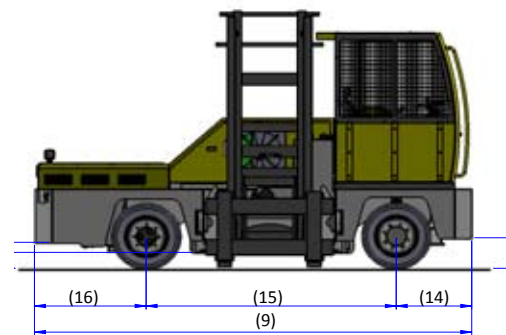
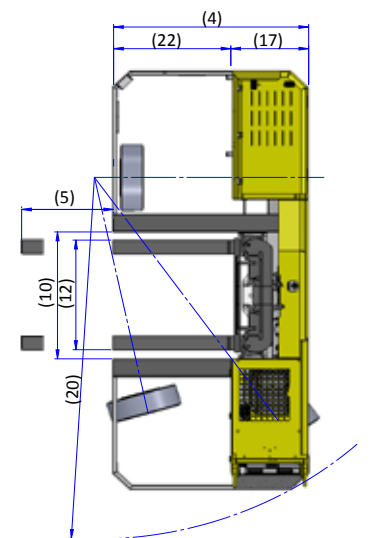
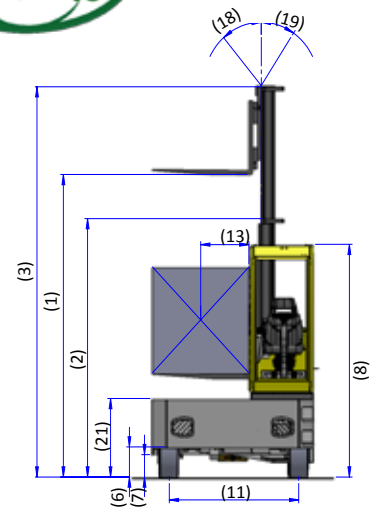
Combi-SL





## Combilift 4 Wheel Sideloader

Ref.	Description	C5000 4WSL	C6000 4WSL
1a	Max. Lift Height	4040mm	
1b	Freelift Height	0mm	
2	Height Mast Closed	3035mm	
3	Max. (Mast raised)	5150mm	
4	Overall Width	2000mm	2200mm
5	Mast Travel	1250mm	1450mm
6	Ground Clearance Under Mast	240mm	
7	Ground Clearance to Centre of Wheelbase	240mm	
8	Height Over Cab (Without work - lights)	2730mm	
9	Length	4560mm	
10	Frame Opening	1400mm	
11	Track	1713mm	
12	Outside Spread of Fork Arms	1350mm	
13	Load Centre Distance	600mm	
14	Overhang Front	820mm	
15	Wheelbase	2510mm	
16	Overhang Back	1130mm	
17	Length From Face of Fork	800mm	
18	Forward Tilt	4°	3°
19	Backward Tilt	5°	
20	Minimum Outside Radius	4200mm	
21	Platform Height	920mm	
22	Platform Length	1200mm	1400mm
A	Capacity	5000 kg	6000 kg
B	Unladen Weight	7500 kg	9150 kg
C	Maximum Ground Speed	25km/h	
D	Gradability	15%	
E	Deutz TCD 3.6 L4 (Stage IIIB)	75kW	
F	Electrics	12 Volt	
G	Fork Section 50mm x 200mm	1200mm	1400mm
H	Pneumatic/Super Elastic Front Tyre	8.25 - 15	300 - 15
I	Pneumatic/Super Elastic Rear Tyre	8.25 - 15	300 - 15
J	Standard Colour	Yellow & Grey	
K	Suspension Seat	KAB Model 116	



### FEATURES INCLUDE:

- Hydraulic Suspended Cabin
- Wet Disc Brakes
- 2 Wheel Drive
- Load Sensing Steering
- Tilting Chassis
- Hydraulic Oil Cooler



Single hydrostatic drive motor coupled to a JCB differential axle ensures reliable continuous drive for long distance travel



## Bridging the Gap with Combilift



Two C5000SL Combilifts have been drafted in by the Defence Storage and Distribution Agency (DSDA) to work at its vehicle and equipment storage facility due to the extreme manoeuvrability and versatility they offer for handling a very specific and problematic type of load – components for assembling tank and infantry bridging.

The site in Gloucestershire is the central storage depot for a variety of bridge units waiting to undergo repair and maintenance and these large and bulky units were causing a problem for mainstream forklifts. Defence Transport Operator Bob Sharples explains: "The maths doesn't add up when you try to get a 13.5m bridge trackway through a 4m wide door by travelling forwards with a counterbalance truck."

The two diesel powered SLs primarily handle the trackways

as well as other parts such as 8m long ramps, 8m and 4m panels, and long packs of pipes. They also offload and load HGVs and their 4-way capability enables block stacking for increased storage in the halls and workshops.

Sgt. Kingsley Lampshire spends a lot of time with the trucks, and says that they have made his life a lot easier: "The Combilifts are so manoeuvrable, and the carousel mode in particular comes into its own when we remove the panels from the storage area to the cribs for work to be carried out. Without this we would be doing long, time consuming runs up and down the workshop. Health and safety procedures have also improved as the visibility from the cab is excellent."

## A Sideways Move for the Better with Combilift

Patrick and Thompsons Ltd, one of the UK's leading providers of timber framed housing, has a capacity to manufacture 8,000 timber framed houses per year and 10,000 roof trusses per week. When the company converted an existing building to accommodate an increase in production it realised that conventional sideloaders and counterbalance forklifts that were previously used would no longer be suitable for handling the large volume of both incoming raw materials and bulky finished product in the tight confines in and around the new facility.

The old trucks were replaced with a 5t capacity diesel powered Combilift C5000SL 4-way sideloader, and MD Keith Arnett is delighted with the benefits it has provided.

"Its versatility and manoeuvrability have been key to the successful operation of the new production line" he said. "We can offload with it to bring in raw materials such as packs of timber, it can be exactly positioned to feed the lines and it then manoeuvres the finished panels through a narrow door and very tight corners to the storage area."

The truck's ability to work both inside and out and its superior manoeuvrability over conventional sideloaders has also considerably speeded up operations." Due to the size of the finished panels, which can be from 3-9m long and 2.4 – 3m wide, the SL was supplied with longer than standard forks and a spreader beam for extra stability with extreme loads.



Combilift's sideloaders are tough workhorses for a host of applications. The 4-way models offer the benefits of narrow aisles, great manoeuvrability and the ability to block or bulk stack. The 4-wheeled, two directional sideloader was developed for operations that require reliable, robust and fast operation when moving product across extensive sites and offers considerable benefits over other machines on the market.



Adjustable Steering Column



Ergonomic Controls



Spacious cabin with deep suspension seat



Traction in snow



SL Front Access Cabin Option





## Combilift

Co. Monaghan  
Ireland

T: +353 47 80500

F: +353 47 80501

E: [info@combilift.com](mailto:info@combilift.com)



Australia: 1300 552 422



Germany: 0800 000 57 64



North America: 1877 266 2456



Spanish : +34 947 26 70 70



UK: 07870 976 758

Distributed by: